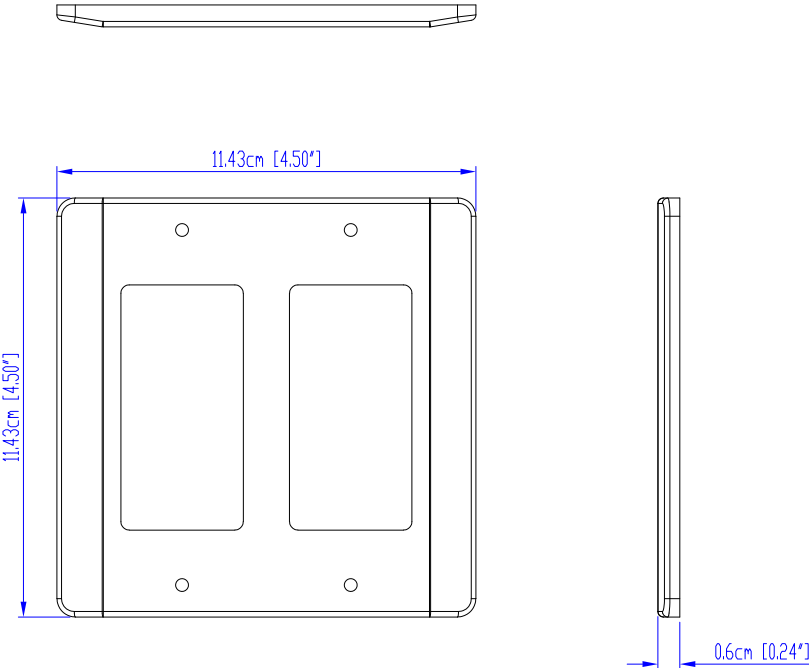
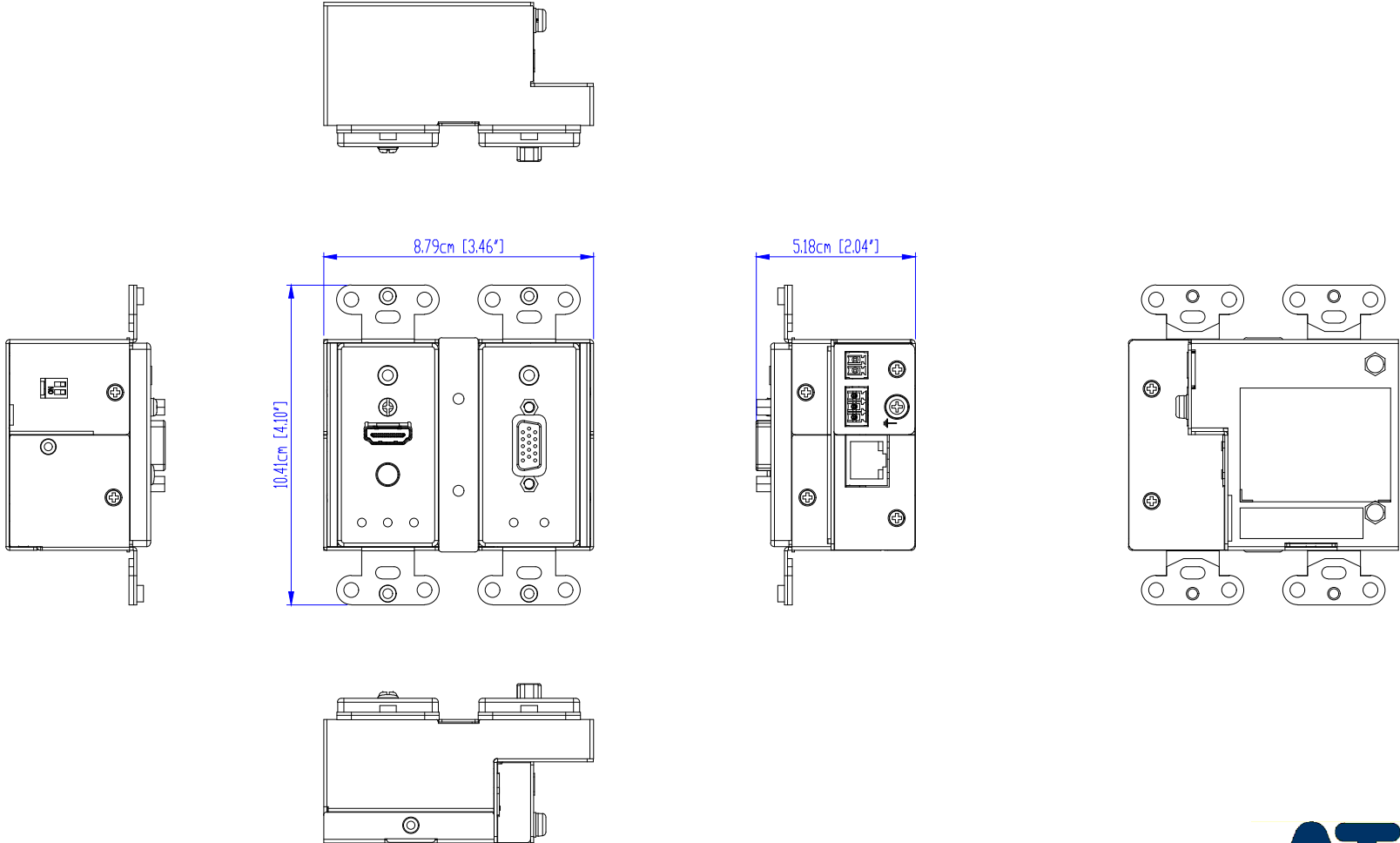


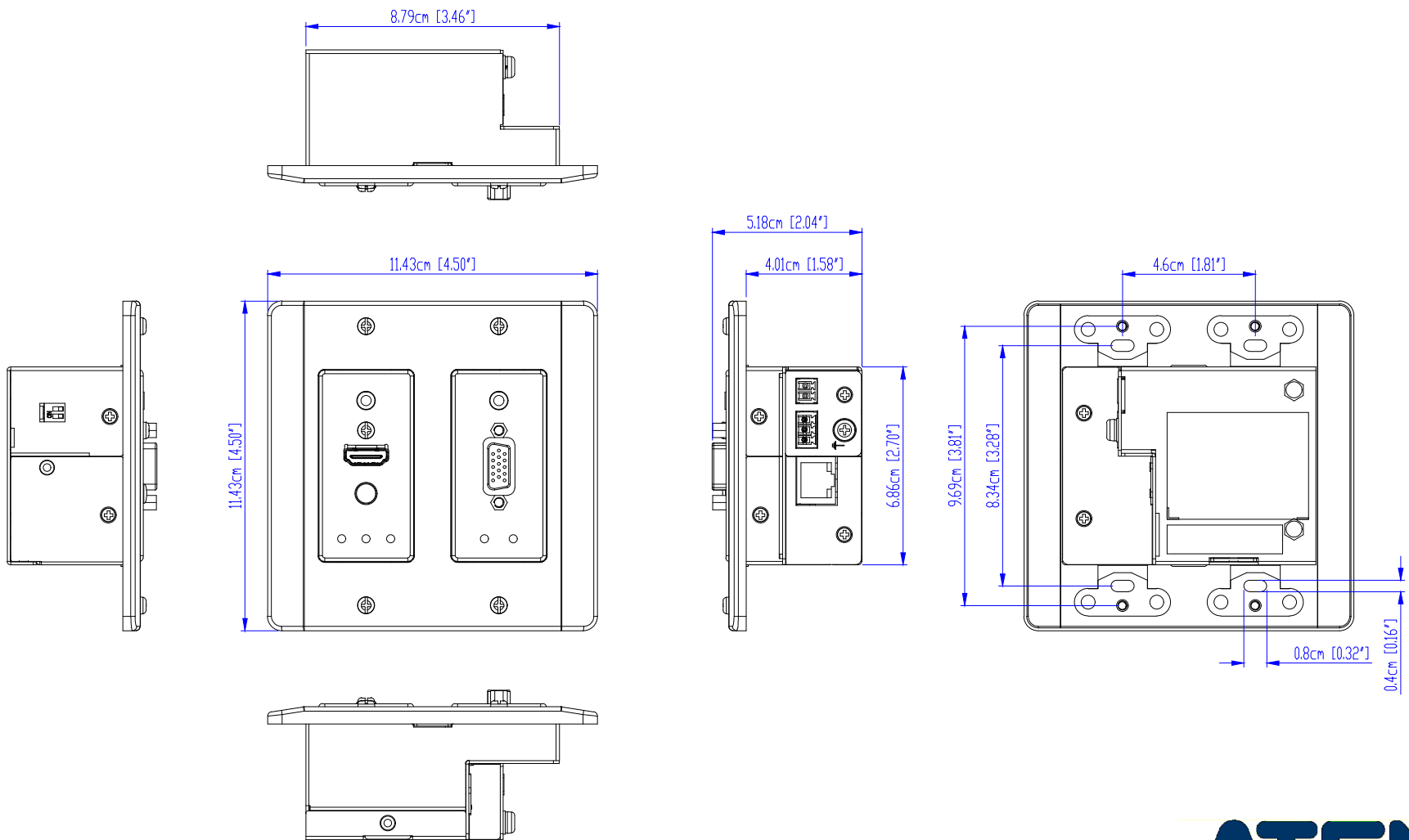
CAD Drawings



ATEN
VE2812UST

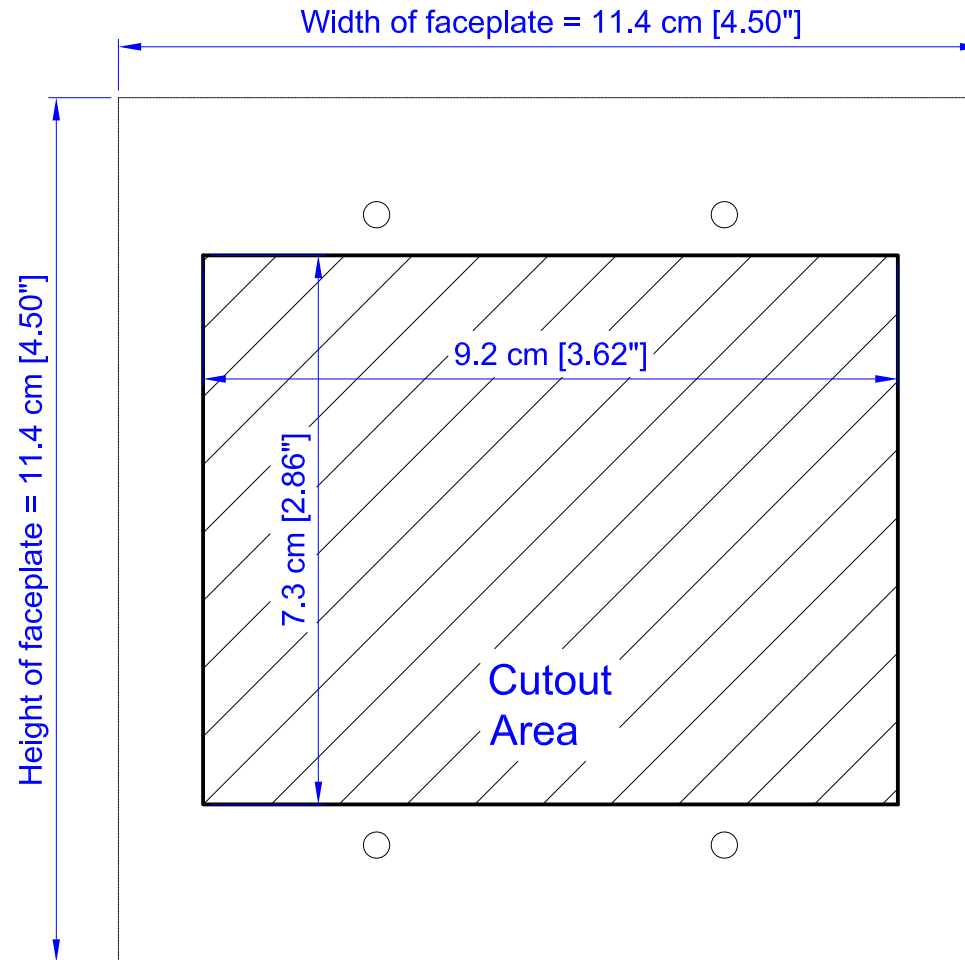


ATEN
VE2812UST



ATEN
VE2812UST

Panel Mount Cutout



Note: ATEN recommends a 2-gang wall box with a depth of at least 4.5 cm (1.77 inches) to accommodate the connectors and cables.



VE2812UST
VE2812AUST