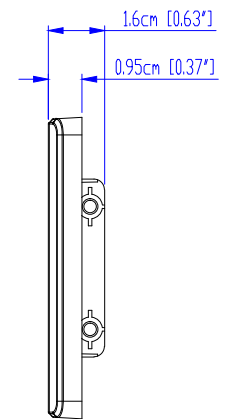
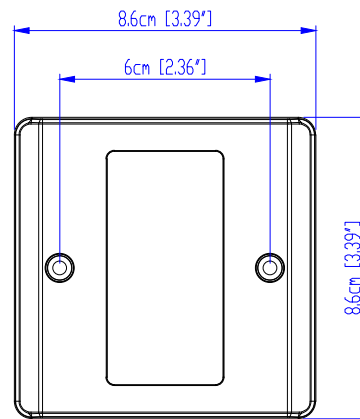
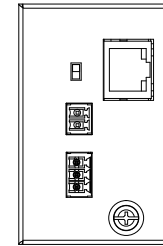
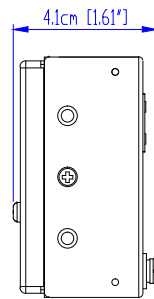
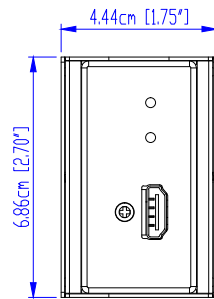
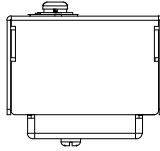
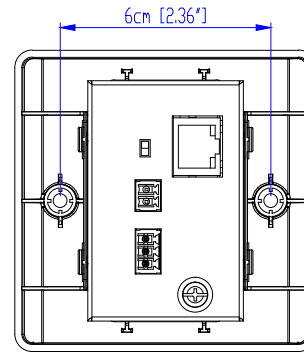
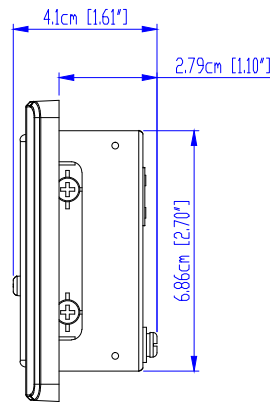
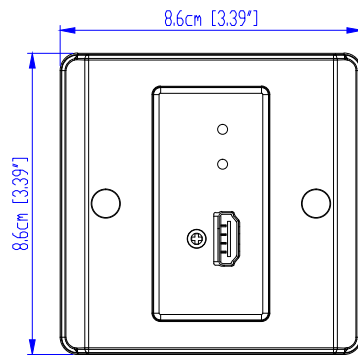
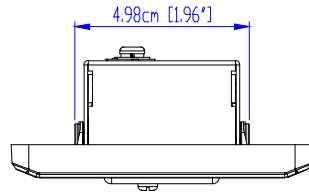


# CAD Drawings



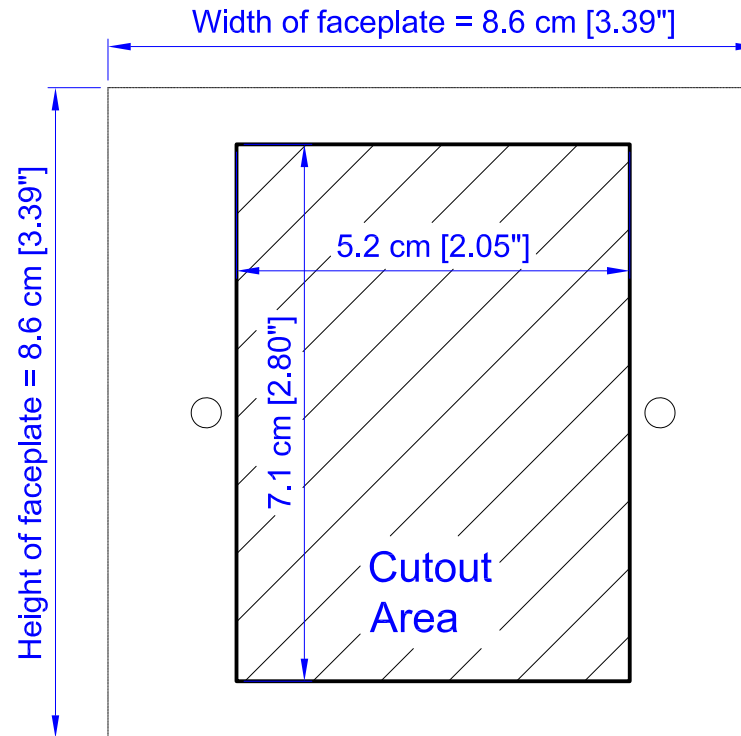


**ATEN**  
**VE1801EUT**



**ATEN**  
**VE1801EUT**

# Panel Mount Cutout



**Note:** ATEN recommends a 1-gang wall box with a depth of at least 4.5 cm (1.77 inches) to accommodate the connectors and cables.

**ATEN**  
**VE1801EUT**