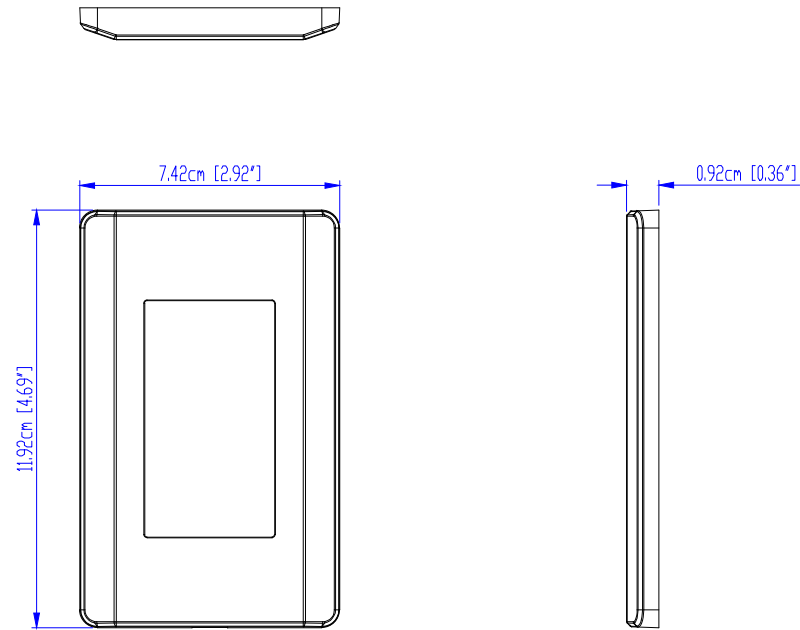
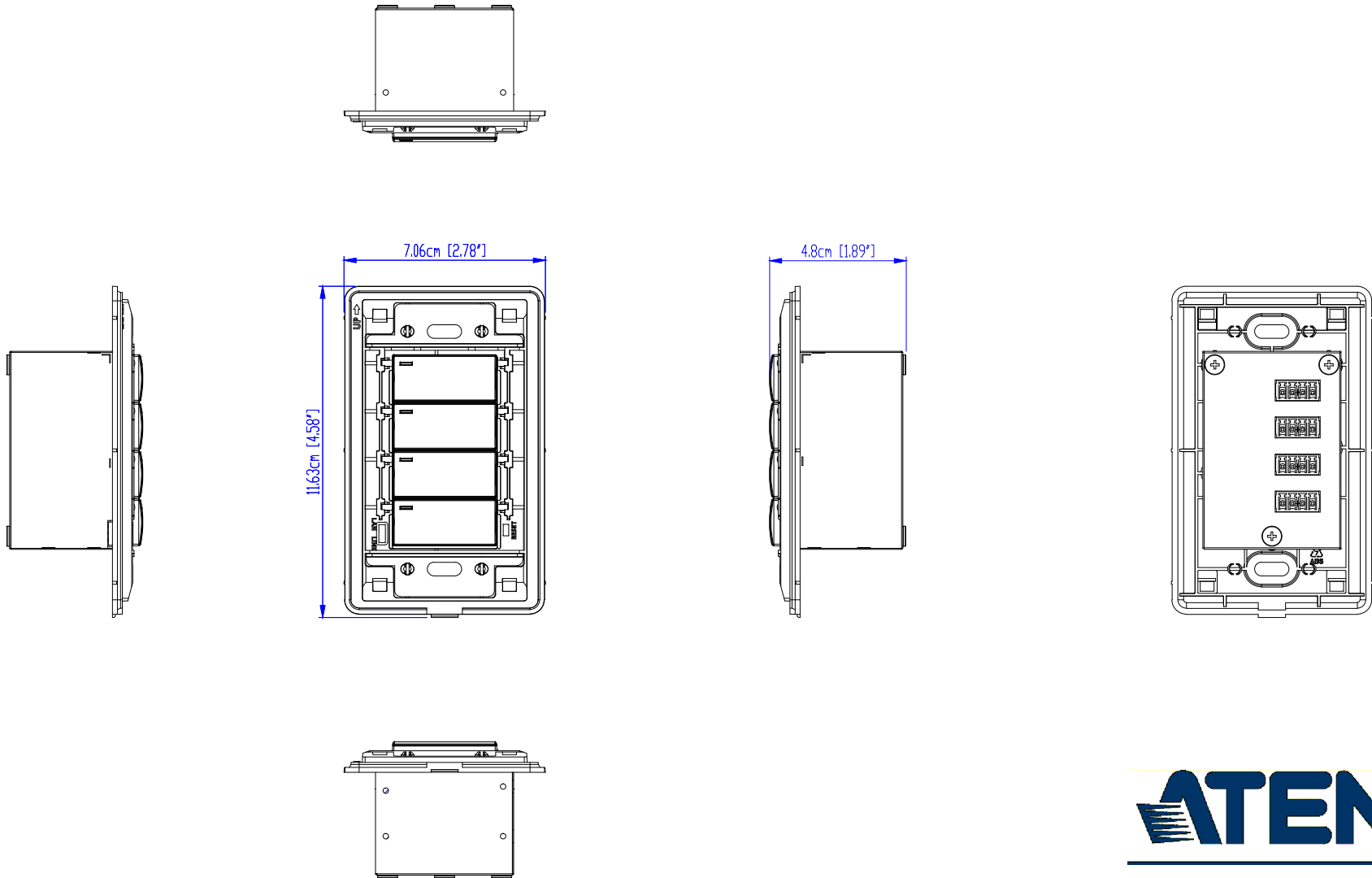
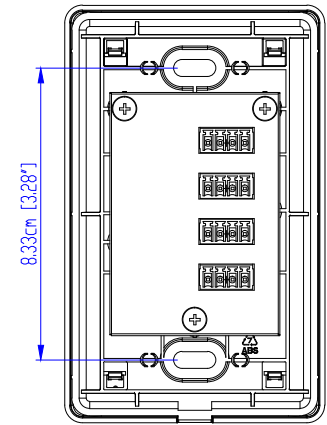
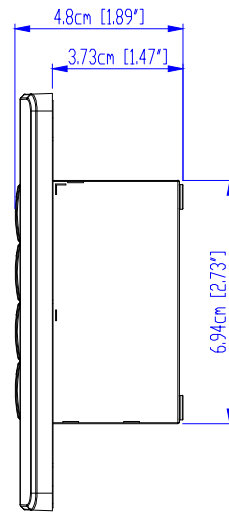
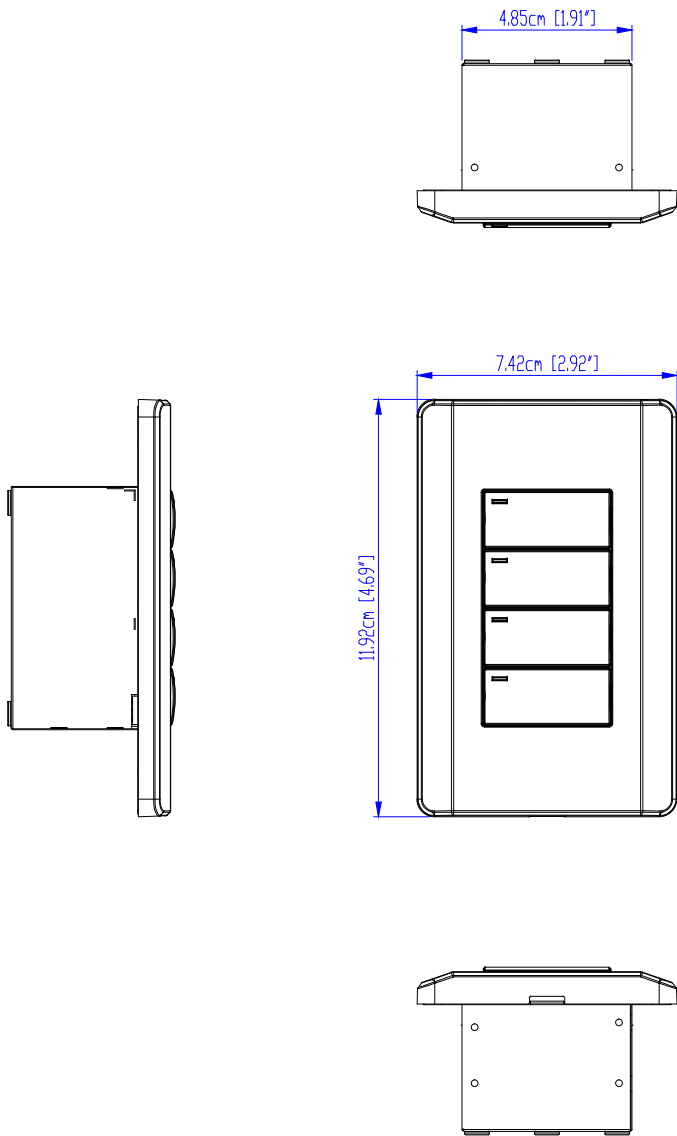


# CAD Drawings





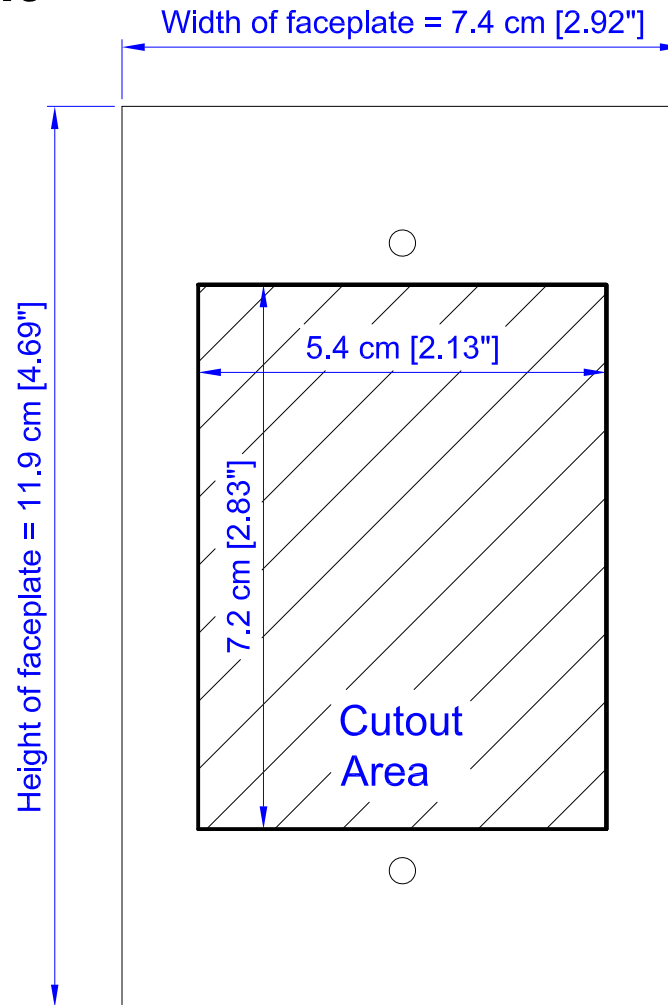
**ATEN**  
**VPK104**



---

**ATEN**  
**VPK104**

# Panel Mount Cutout



**Note:** ATEN recommends a 1-gang wall box with a depth of at least 5 cm (1.97 inches) to accommodate the connectors and cables.

