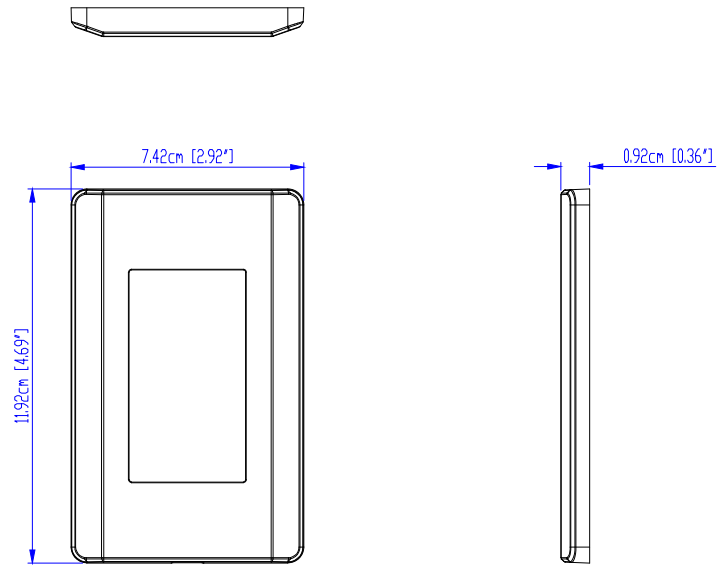
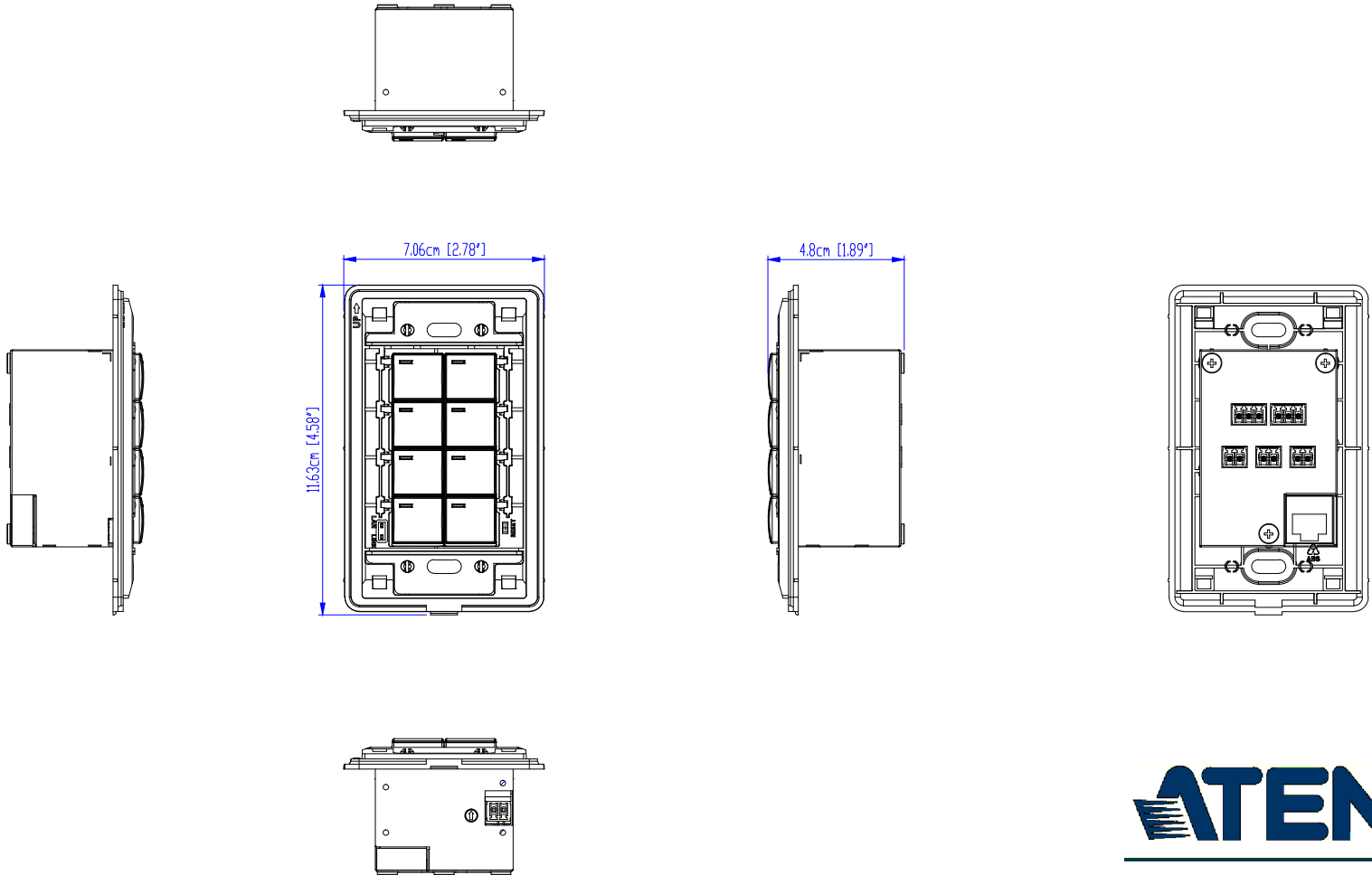


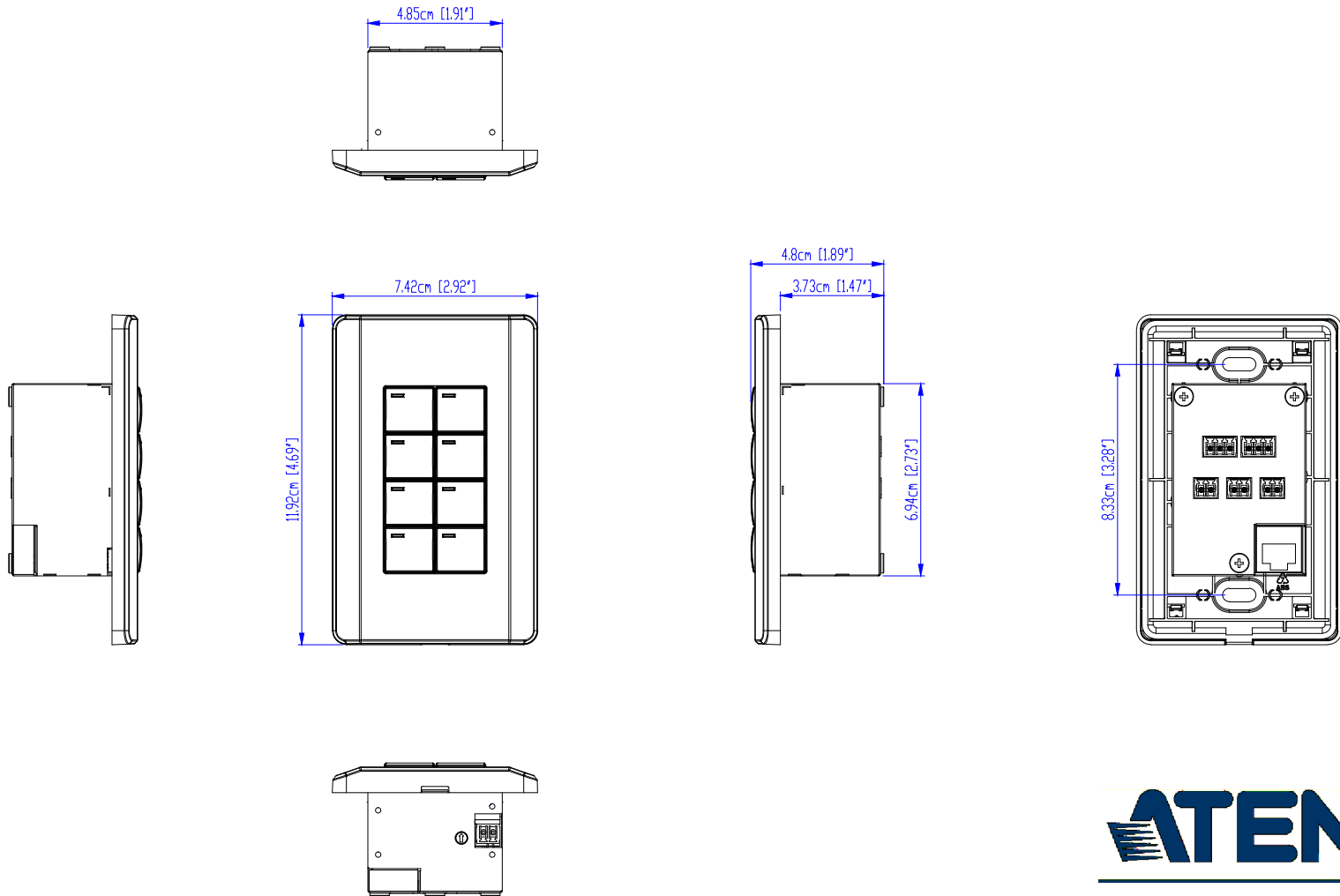
CAD Drawings



ATEN
VK0100

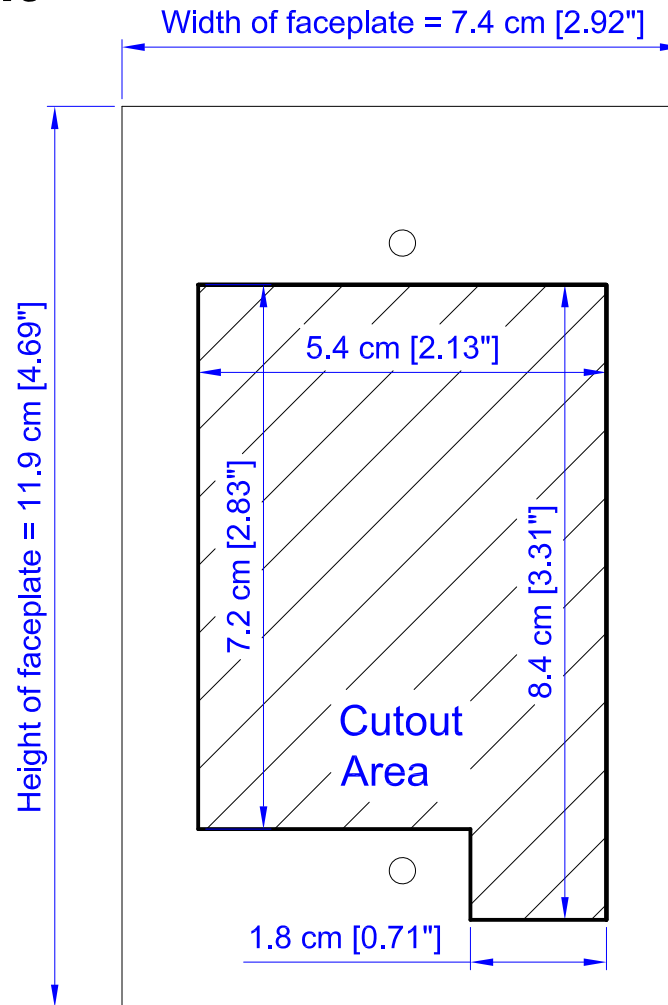


ATEN
VK0100



ATEN
VK0100

Panel Mount Cutout



Note: ATEN recommends a 1-gang wall box with a depth of at least 5 cm (1.97 inches) to accommodate the connectors and cables.

