

HDMI HDBaseT-Lite Transmitter with EU Wall Plate

VE1801EUT

- ATEN VE1801EUT is a transmitter designed to reliably send 4K signals up to 40 m over a single Cat 5e/6/6a or ATEN 2L-2910 Cat 6 cable. With EU Wall Plate design, the VE1801EUT can be conveniently mounted in a one-gang junction box. For HDMI signal transmission, it supports 3D, Deep Color, and embedded HD lossless audio formats.

The compact wall plate design does away with bulky cables, allowing a neat and convenient installation. Therefore, VE1801EUT is specifically designed for use in meeting rooms, digital educational environment or wherever needed to meet application requirements.



VE1801EUT Front view

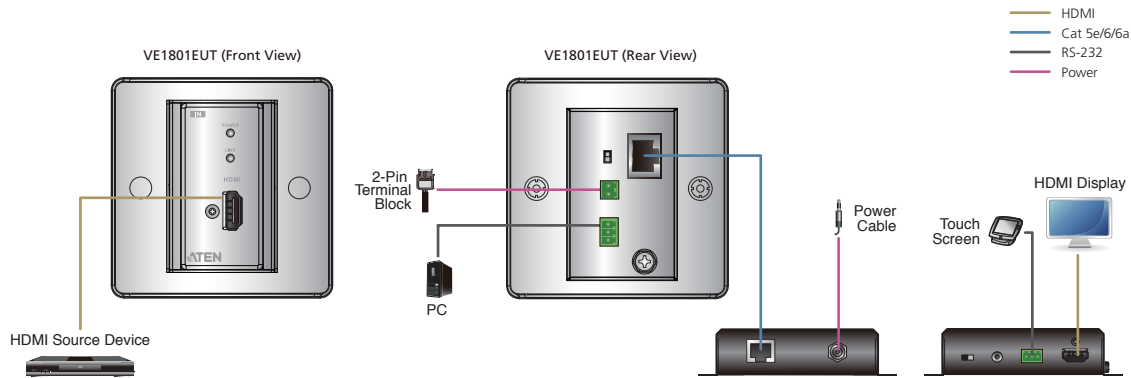


VE1801EUT Rear view



Features

- Extends HDMI signals with superior video quality over a single Cat 5e/6/6a or ATEN 2L-2910 Cat 6 cable
 - 4K up to 40 m
 - 1080p up to 70 m
- HDMI 1.4 (3D, Deep color, 4K); HDCP 2.2 compliant
- Designed to mount in a one-gang junction box
- Supports RS-232 channel transmission
- Consumer Electronic Control (CEC) allows interconnected HDMI devices to communicate and respond to a single remote control
- HDBaseT Anti-jamming – resists signal interference during high-quality video transmission using HDBaseT technology
- LED indication of device status
- Supports wide screen format
- Built-in 8KV / 15 KV ESD protection
- Plug-and-play



Note: ATEN recommends using VE802R (with RS-232 channel) or VE801R.

Specifications

Functions	VE1801EUT
Video Input	
Interfaces	1 x HDMI Type A Female (Black)
Impedance	100 Ω
Max. Distance	3 m
Video	
Max. Data Rate	10.2Gbps (3.4Gbps per lane)
Max. Pixel Clock	340 MHz
Compliance	HDMI (3D, Deep Color, 4K) HDCP Compatible Consumer Electronics Control (CEC)
Max. Resolutions / Distance	Up to 4K@35m (Cat 5e/6) / 40m (Cat 6a/ATEN 2L-2910 Cat6); 1080p@60m (Cat 5e/6) / 70m (Cat 6a/ATEN 2L-2910 Cat6) *4K supported: 4096 x 2160 / 3840 x 2160 @ 60Hz (4:2:0); 4096 x 2160 / 3840 x 2160 @ 30Hz (4:4:4)
Audio	
Input	1 x HDMI Type A Female (Black)
Control	
RS-232 Channel	1 x Terminal Block, (3 pole, Green)
Connectors	
Power	1 x Terminal Block (2 pole, Green)
Unit To Unit	1 x RJ-45 Female
Power Consumption	
	DC5V:1.75W
Environmental	
Operating Temperature	0 - 40°C
Storage Temperature	-20 - 60°C
Humidity	0% - 80% RH, Non-condensing
Physical Properties	
Housing	Metal
Weight	0.17 kg
Dimensions (L x W x H)	6.86 x 4.44 x 4.10 cm
Faceplate Dimension (L x W x H)	8.60 x 8.60 x 1.60 cm

Product information is subject to change without prior notice.

ATEN International Co., Ltd.

3F., No.125, Sec. 2, Datong Rd., Sijhih District., New Taipei City 221, Taiwan
 Phone: 886-2-8692-6789 Fax: 886-2-8692-6767
 www.aten.com E-mail: marketing@aten.com

Publish Date: 11/2018 V1.0



© Copyright 2018 ATEN® International Co., Ltd.
 ATEN and the ATEN logo are trademarks of ATEN International Co., Ltd.
 All rights reserved. All other trademarks are the property of their respective owners.