

## 8-Port Health Manager KVM Switch

The KH98 KVM Switch offers multiple computer access along with Remote Intelligent Platform Management Interface (IPMI) monitoring from a single console (keyboard, monitor, and mouse).

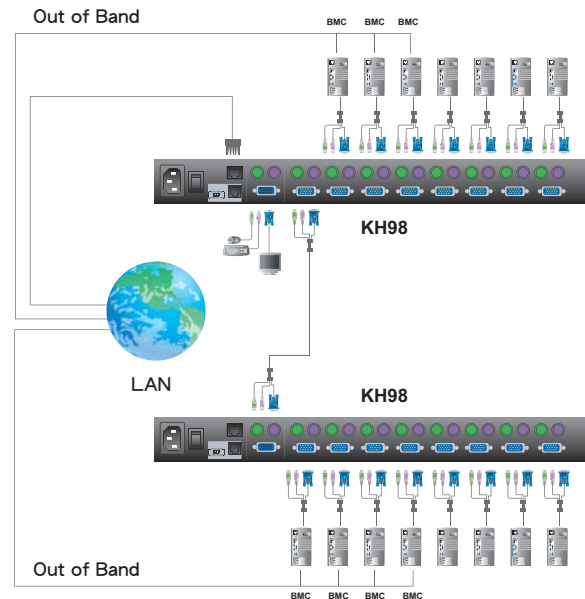
Designed to monitor server hardware health related factors including CPU temperature, voltage, fan speed, etc. IPMI also provides maintenance tools like system reset and power on/off. Although IPMI is a fairly new specification, it is quickly becoming a computer industry standard for troubleshooting and failure prevention. Best of all, IPMI can be deployed remotely (Out of Band), even when a system is down.



### Features

- A single PS/2 console controls up to 8 computers
- Centralized management - Control up to 512 computers (cascading) from a single console
- Server health monitoring - receive PET (Platform Event Trap) alerts and monitor up to 512 IPMI enabled servers from a single console (IPMI over LAN)
- IPMI 2.0 compliant
- Remote maintenance - system reset and power On/Off for IPMI enabled servers
- Robust security - Administrator/User password authorization for enhanced security protection
- No software required - convenient computer selection via front panel switches, Hotkeys and intuitive On Screen Display (OSD) menus
- Intelligent OSD (On Screen Display) and hotkey switching for efficient system handling
- Auto Scan Mode enables continuous monitoring of user-selected computers
- Hot Pluggable - add or remove computers without having to power down the switch
- PS/2 mouse emulation for system bootup
- Superior video quality: up to 1920 x 1440 @ 60Hz; DDC; DDC2; DDC2B

### Diagram



### Specifications

Function		KH98	
Computer Connections	Direct	8	
	Max.	512 (via Cascade)	
Console Connections		1	
Port Selection		OSD, Hotkey, Pushbutton	
Connectors	Console Ports	Keyboard	1 x 6-pin Mini-DIN Female (Purple)
		Video	1 x HDB-15 Female (Blue)
		Mouse	1 x 6-pin Mini-DIN Female (Green)
	KVM Ports	Keyboard	8 x 6-pin Mini-DIN Female (Purple)
		Video	8 x HDB-15 Male (Blue)
		Mouse	8 x 6-pin Mini-DIN Female (Green)
F/W Upgrade		1 x RJ-11 Female (Black)	
Power		1 x 3-prong AC Socket	
LAN (IPMI Usage)		1 x RJ-45 Female (Black)	
Switches	Reset	1 x Semi-recessed Pushbutton	
	Port Selection	8 x Pushbutton	
	Power	1 x Rocker	
	F/W Upgrade	1 x Slide	
LEDs	On Line	8 (Green)	
	Selected	8 (Orange)	
	Power	1 (Blue)	
	Link	1 (Green)	
	LAN (IPMI)	1 (Orange)	
Emulation		Keyboard/Mouse	
Video		1920 x 1440 @ 60 Hz; DDC2B	
Scan Interval		1 - 255 Seconds	
I/P Rating		100-240VAC; 50/60Hz; 1A	
Power Consumption		120V/12W; 230V/12W	
Environment	Operating Temp.	0-50° C	
	Storage Temp.	-20-60° C	
	Humidity	0-80% RH, Non-condensing	
Physical Properties	Housing	Metal	
	Weight	2.88 kg	
	Dimensions (L x W x H)	43.30 x 16.00 x 4.40 cm (19"/1U)	

\* The specifications and pictures are subject to change Without notice.