

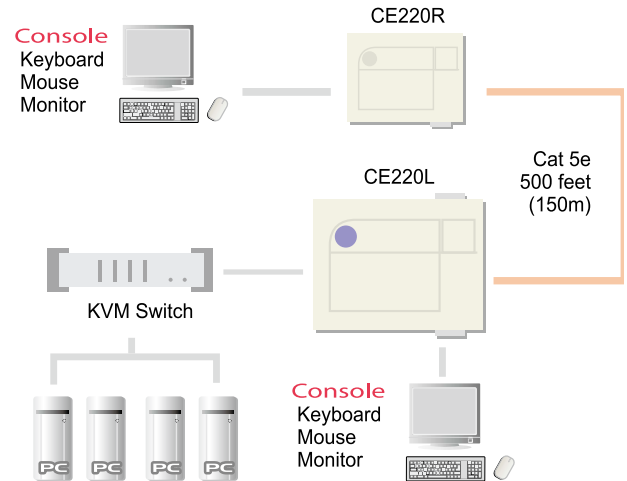
CE220

PS/2 KVM Extender



- Console PS/2
- Computers PS/2
- Extension 150 meters
- NEW OS Support Vista

Diagram



Features

- Cat 5e cable to connect the Local and Remote Units – up to 150 m apart
- Dual Console Operation – control the system from both the local and remote consoles
- Pushbutton selection of the active console
- High resolution video – up to 1024 x 768
- Supports DDC2B for local monitor (display data channel for communication between graphic card and monitor)
- Supports VGA, SVGA, and Multisync monitors

Specifications

Function		CE220L	CE220R	
Console Selection		Pushbutton		
Connectors	Console Ports	Keyboard	1 x 6-pin Mini-DIN Female (Purple)	
		Video	1 x HDB-15 Female (Blue)	
		Mouse	1 x 6-pin Mini-DIN Female (Green)	
		Unit to Unit	1 x RJ-45 Female (Black)	
	Power	1 x AC Jack (Black)		
	KVM Ports	Keyboard	1 x 6-pin Mini-DIN Female (Purple)	N/A
		Video	1 x HDB-15 Male (Blue)	N/A
Mouse		1 x 6-pin Mini-DIN Female (Green)	N/A	
Switches	Selection Mode	1 x Pushbutton	N/A	
LEDs	Power	1 (Green)	N/A	
	Remote	1 (Green)	N/A	
	Status/Power	N/A	1 (Orange)	
	On Line	N/A	1 (Green)	
Emulation	Keyboard/ Mouse	PS/2		
Video		1024 x 768		
Signal Range		150m (500')		
Power Consumption		AC9V, 2.7W (Max.)		
Environment	Operating Temp.	0-50°C		
	Storage Temp.	-20-60°C		
	Humidity	0-80% RH, Non-condensing		
Physical Properties	Housing	Plastic		
	Weight	0.30 kg	0.22 kg	
	Dimensions (L x W x H)	13.00 x 10.00 x 3.50 cm	10.00 x 8.50 x 3.50 cm	

* The specifications and pictures are subject to change without notice.