



ATEN VanCryst™
VKT100
 10.1" Touch Panel
 Quick Start Guide

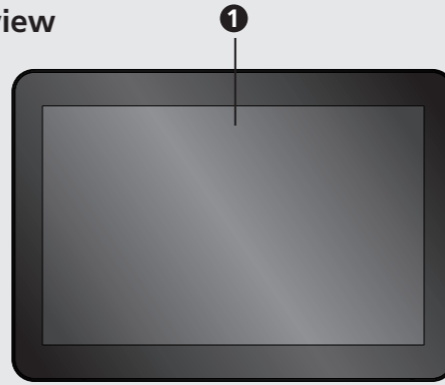
© Copyright 2020 ATEN® International Co., Ltd.
 ATEN and the ATEN logo are trademarks of ATEN International Co., Ltd. All rights reserved.
 All other trademarks are the property of their respective owners.

Printing Date: 09/2020

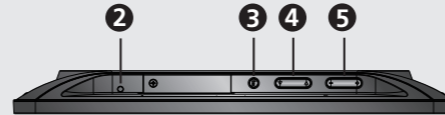


A Hardware Review

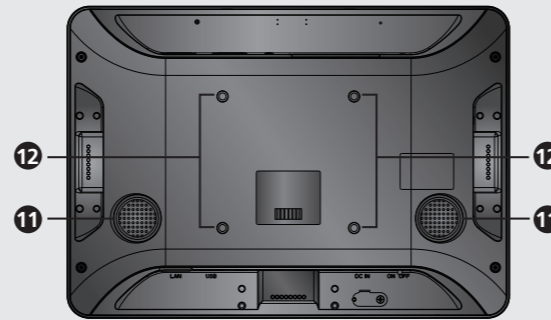
Front View



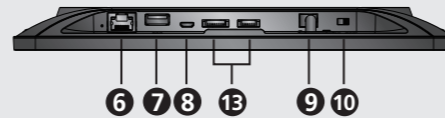
Top View



Rear View

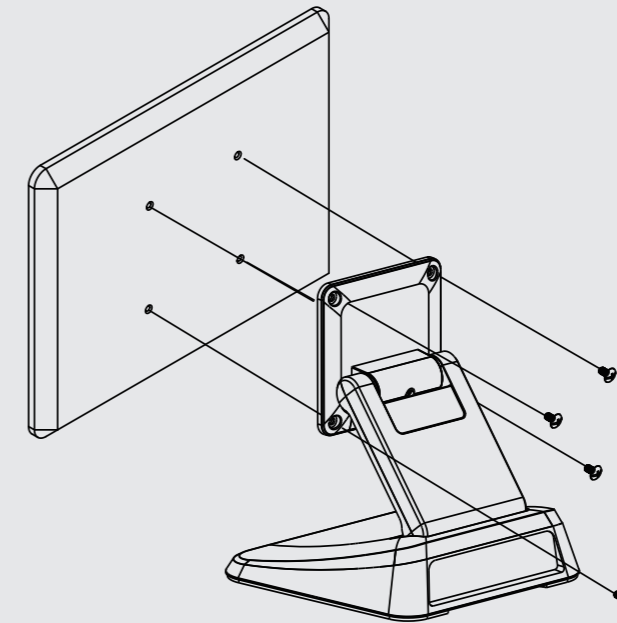


Bottom View



B Mounting the VKT100

Desk Mount



Note: The desk mount kit (VKTA101) is available for purchase. For more information, visit the VKT100 product web page.

Package Contents

- 1 VKT100 10.1" Touch Panel
- 1 User Instructions

Support and Documentation Notice

All information, documentation, firmware, software utilities, and specifications contained in this package are subject to change without prior notification by the manufacturer. To reduce the environmental impact of our products, ATEN documentation and software can be found online at <http://www.aten.com/download/>

Technical Support
www.aten.com/support

Scan for more information

ATEN Website



User Manual



A Hardware Review

- 1 Touch Screen
- 2 Status LED
- 3 Function Button
- 4 Brightness Up/Down
- 5 Volume Up/Down
- 6 LAN Port with PoE
- 7 USB Type-A Port
- 8 Micro USB Port
- 9 Power Jack
- 10 Power Switch
- 11 Speakers
- 12 M4 Screw Holes for Mounting
- 13 For debugging purposes only

B Mounting the VKT100

The VKT100 Touch Panel supports desk mount, or any third-party mounting accessory that is VESA compliant (75 mm x 75 mm). For more information about the accessories, visit the product web page.

C Hardware Installation

- 1 Use an Ethernet cable to connect the unit to a PoE Switch or PoE Injector to provide power and access to the network.
- 2 Put the Power Switch to **ON**. The status LED lights green.

Software Configuration

Changing the Interface Language

1. Press the **Function** button.
2. Tap **System > Languages & input > Languages > + Add a language**.
3. Tap a preferred language. The selected language option is added to the language list.
4. Tap and hold the language you just added to the top of the list. The Touch Panel uses the language that comes first in the language list.

Configuring the Network Settings

1. Press the **Function** button.
2. Tap **Network & Internet > Ethernet > Ethernet IP Mode** to configure the network settings.

Adding Viewers to the ATEN Control System App

1. After switching the power to **ON**, wait for the ATEN Control System welcome page to appear.
2. Tap **Start**. The Download Viewer page appears.
3. Search for controllers and add Viewers that you have created. For more information about the ATEN Control System app, refer to the *ATEN Control System User Manual*.

Operation

- To go to the settings page, press the **Function** button once.
- To return to the welcome screen, tap **←** at the top-left corner of the interface or press and hold the **Function** button for 2 seconds.