

SN3101 Serial Device Server Quick Start Guide

© Copyright 2011 ATEN® International Co., Ltd. www.aten.com
 Altusen and the Altusen logo are trademarks of ATEN International Co., Ltd.
 All rights reserved. All other trademarks are the property of their respective owners.
 This product is RoHS compliant PAPE-1214-Z00G Printing Date: 05/2011

All information, documentation, and specifications contained in this media are subject to change without prior notification by the manufacturer. Please visit our website to find the most up to date version.



1 Package Contents

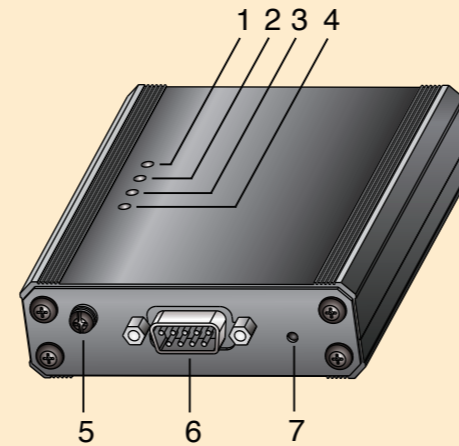
- | | |
|-------------------------------|---------------------|
| 1 SN3101 Serial Device Server | 1 User Manual |
| 1 Power Adapter | 1 Quick Start Guide |
| 1 DC Terminal Connector | 1 Software CD |
| 1 Mounting Kit | |

2 Restrictions and Requirements

- Sun's Java 2 JRE 1.4.2 or higher must be installed on your computer. Java is available for free download from the Sun Java website: <http://java.sun.com>
- The devices that connect to the SN3101 must support one of the following serial protocols:
 - RS-232 (protocol or terminal operations)
 - RS-422
 - RS-485
- The Virtual COM port driver (Real COM port) support requires Windows 2000 or higher.
- Under Vista (32-bit version), only the administrator can install the Virtual Port Management Utility – ordinary users can only operate the mapped Real COM ports.
- The current Linux TTY driver supports kernels up to version 2.6.19.

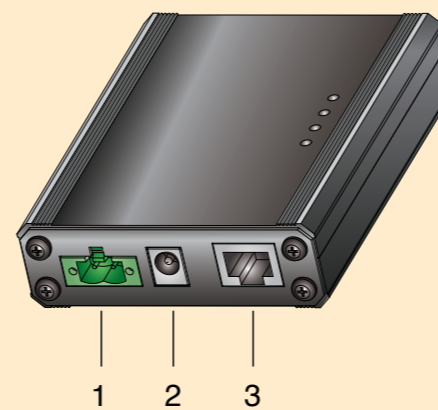
3 Hardware Review (Front View)

1. Power LED
2. Link LED
3. 10/100 Mbps Data LED
4. Tx/Rx (ACT) LED
5. Grounding Terminal
6. Serial Port
7. Reset Switch



4 Hardware Review (Rear View)

1. DC Terminal
2. DC Jack
3. LAN Port



5 Mounting

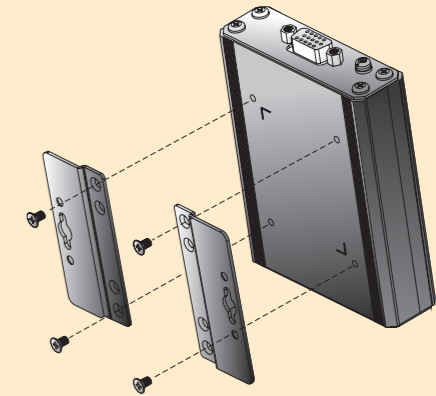
For flexibility and convenience, the SN3101 can be wall mounted or DIN rail mounted, as described in the sections that follow.

Wall Mounting

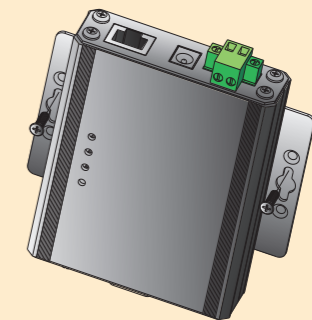
To wall mount the SN3101:

1. Use the smaller screws supplied with the Mounting Kit to screw the mounting brackets into the back of the unit:

Note: If you use third party screws, the length of the shank (the threaded portion) must not exceed 4.50 mm.



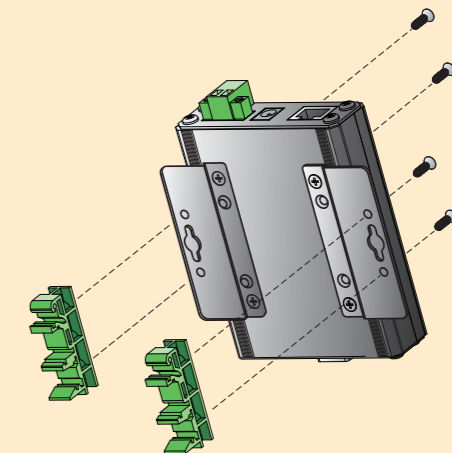
2. Screw the mounting brackets to the wall.



DIN Rail Mounting

To mount the SN3101 on a DIN rail:

1. Screw the mounting brackets to the back of the SN3101 as described in step 1 of the wall mounting procedure.
2. Use the larger screws supplied with the Mounting Kit to screw the DIN rail brackets to the mounting brackets – as shown in the diagram, below:



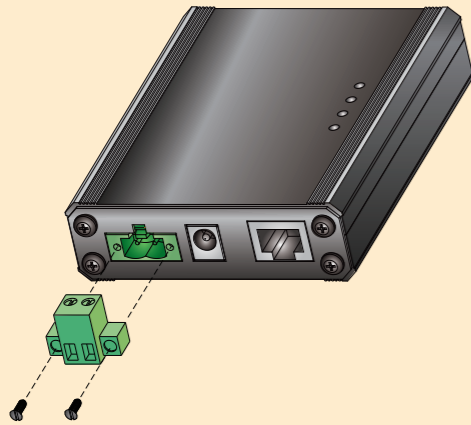
3. Hang the unit on the DIN Rail.

6

Hardware Installation

To install the SN3101, do the following:

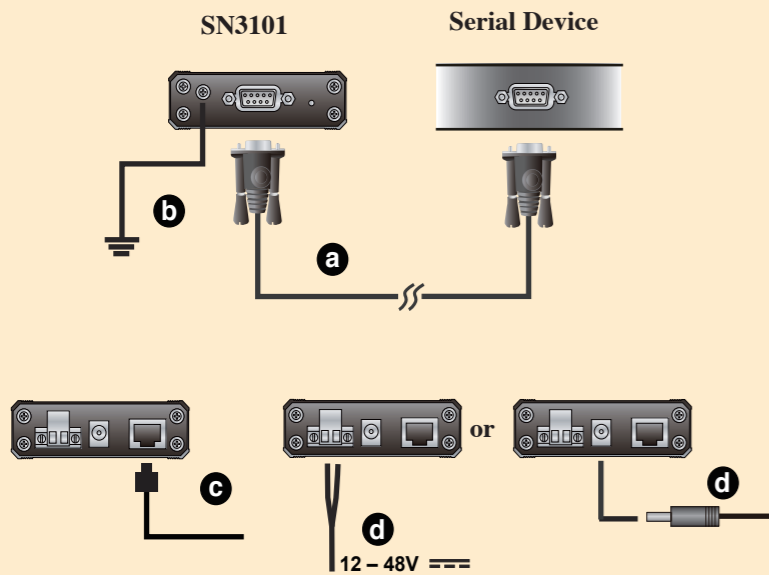
1. If you intend to use the DC terminal, screw the DC terminal connector to the block – as shown in the following diagram



Refer to the Installation diagram as you do the following:

- a. Use a null modem cable to connect the SN3101's serial port to your serial device.
- b. Ground the device.
- c. Plug the cable that connects the SN3101 to the network or the Internet into the LAN port.
- d. Connect the DC power source to the device.

SN3101 Installation Diagram:



7

Operation

Logging In

SN3101 operation is Internet browser based. To begin:

1. Open your browser and specify the IP address of the SN3101 you want to access in the browser's URL location bar.

Note: If you are logging in for the first time, use SN3101's default IP address: 192.168.0.10.

2. A Security Alert dialog box appears. Accept the certificate.
3. A login dialog box, like the one below, appears:

SN3101 - Login

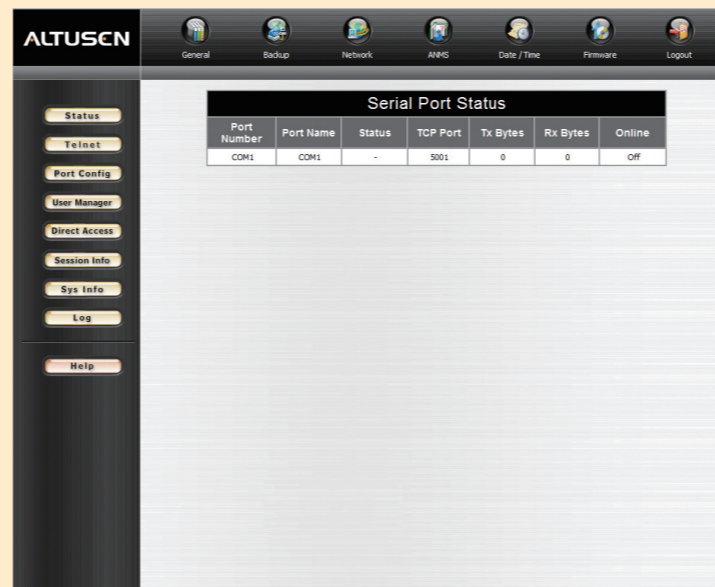
Username:

Password:

4. Provide a valid Username and Password (set up by the administrator), then Click Login to continue.

Note: If you are the administrator, and are logging in for the first time, use the default Username: **administrator**; and the default Password: **password**. For security purposes, we strongly recommend you change these and give yourself a unique Username and Password.

After you have successfully logged in, the Main Screen appears:



8

Specifications

Function		Specification		
Connectors	Serial	1 x DB-9 M (Black)		
	Network	1 x RJ-45 (Black)		
	Power	PWR1: 1 x 2-pin Terminal Block (Green) PWR2: 1 x DC Jack (Black)		
Switches	Reset	1 x Semi-recessed Pushbutton		
LEDs	Power	1 x Green		
	Link	1 x Green		
	10/100 Mbps	1 x Orange/Green		
	TxRx (ACT)	1 x Green		
Power Input	PWR1	12–48V DC (2-pin Terminal Block)		
	PWR2	9–30V DC (Power Adapter Jack)		
	Power Adapter	100–240V AC; 50–60 Hz		
	Power Line Protection	4KV burst (EFT), EN61000-4-4 2KV surge, EN61000-4-4		
Power Consumption		9V, 2.7W		
Interfaces	Serial	Standards	RS-232/422/485; Software selectable	
		Baud Rate	460Kbps	
		RS-232 Signals	TxD, RxD, RTS, CTS, DTR, DSR, DCD, GND	
		RS-422 Signals	Tx+, Tx-, Rx+, Rx-, RTS+, RTS-, CTS+, CTS-, GND	
		RS-485 Signals	Data+, Data-, GND	
		Serial Protection	15 KV ESD Protection for the serial port	
		Parity	None, Even, Odd, Mark, Space	
		Stop Bits	5, 6, 7, 8	
	Network	Flow Control	None, XON/XOFF, RTS/CTS	
		Standards	10/100BaseTX; Autosensing	
		Protection	1.5 KV Magnetic Isolation	
		Protocols	ARP, DHCP, DNS, HTTP, HTTPS, ICMP, IP, TCP, UDP, NTP, PPP, RADIUS, Telnet, SNMP, SNMP Trap, SMTP, SSH	
		Regulatory Approval		FCC Class A, CE Class A, RoHS
		Environment	Operating Temp.	0–60°C
Storage Temp.	-20–85°C			
Humidity	0–95% RH, Non-condensing			
Physical Properties	Housing	Metal		
	Weight	0.22 kg		
	Dimensions (L x W x H)	10.69 x 7.90 x 2.44 cm		