

2-Port Video Splitter

USER MANUAL

VS102

FCC / CE INFORMATION

FEDERAL COMMUNICATIONS COMMISSION INTERFERENCE STATEMENT: This equipment has been tested and found to comply with the limits for a Class A digital device, pursuant to Part 15 of the FCC Rules. These limits are designed to provide reasonable protection against harmful interference when the equipment is operated in a commercial environment. This equipment generates, uses, and can radiate radio frequency energy and, if not installed and used in accordance with the instruction manual, may cause harmful interference to radio communications. Operation of this equipment in a residential area is likely to cause harmful interference in which case the user will be required to correct the interference at his own expense.

FCC Caution: Any changes or modifications not expressly approved by the party responsible for compliance could void the user's authority to operate this equipment.

CE Warning: This is a class A product. In a domestic environment this product may cause radio interference in which case the user may be required to take adequate measures.

RoHS

This product is RoHS compliant.

SJ/T 11364-2006

The following contains information that relates to China.

部件名称	有毒有害物质或元素					
	铅	汞	镉	六价铬	多溴联苯	多溴二苯醚
电器部件	●	○	○	○	○	○
机构部件	○	○	○	○	○	○

- : 表示该有毒有害物质在该部件所有均质材料中的含量均在SJ/T 11363-2006规定的限量要求之下。
- : 表示符合欧盟的豁免条款, 但该有毒有害物质至少在该部件的某一均质材料中的含量超出SJ/T 11363-2006的限量要求。
- ×: 表示该有毒有害物质至少在该部件的某一均质材料中的含量超出SJ/T 11363-2006的限量要求。



VS102 USER MANUAL

ONLINE REGISTRATION

International	http://support.aten.com
---------------	---

TELEPHONE SUPPORT

International	886-2-8692-6959
China	86-10-5255-0110
Japan	81-3-5615-5811
Korea	82-2-467-6789
North America	1-888-999-ATEN ext 4988
United Kingdom	44-8448-158923

TECHNICAL SUPPORT

- ◆ For international online technical support – including troubleshooting, documentation, and software updates:
<http://support.aten.com>
- ◆ For North American technical support:

Email Support		support@aten-usa.com
Online Technical Support	Troubleshooting Documentation Software Updates	http://support.aten.com
Telephone Support		1-888-999-ATEN ext 4998

PACKAGE CONTENTS

The VS102 package contains the following items:

- ◆ 1 VS102 2-Port Video Splitter
- ◆ 1 Power Adapter
- ◆ 1 User Instructions*

Check to make sure that all the components are present and that nothing got damaged in shipping. If you encounter a problem, contact your dealer.

Read this manual thoroughly and follow the installation and operation procedures carefully to prevent any damage to the unit, and/or any of the devices connected to it.

* Features may have been added to the VS102 since this manual was published. Please visit our website to download the most up-to-date version of the manual.

Copyright © 2014 ATEN® International Co., Ltd.
Manual Part No. PAPE-1280-201G
Printing Date: 2014-06-17

ATEN and the ATEN logo are trademarks of ATEN International Co., Ltd. All rights reserved. All other trademarks are the property of their respective owners.

OVERVIEW

The VS102 2-Port Video Splitter takes a single VGA input signal and splits it into 2 VGA outputs, each at 250 MHz after duplication. The VS102 can boost signals and extend the transmission up to 65m with a built in video gain knob for display adjustment at different distances.

The VS102 splitter provides the best way to split a single VGA video source into two VGA output signals, which can be transmitted to displays over long distance.

FEATURES

- ◆ Splits a VGA input signal into 2 VGA outputs
- ◆ Cascadable up to 3-levels to provide 8 output signals
- ◆ Supports up to 250 MHz bandwidth
- ◆ Long distance transmission - up to 65 m*
- ◆ Supports High video resolution - up to 1920 x 1440
- ◆ DDC, DDC2, DDC2B Compatible (Port 1 only)
- ◆ Supports VGA, XGA, SVGA, UXGA and multisync monitors
- ◆ OS Support: Windows 2000, Windows XP, Linux, Mac and Sun
- ◆ Compact design with convenient topside connection, lays flat on a desktop or mounts on a wall

*Video content sent over very long distance using a VGA cable might result in slight degradation of the video signal and quality.

SYSTEM REQUIREMENTS

SOURCE DEVICE

- ◆ VGA video card with HDB-15 connector

DISPLAY DEVICE(S)

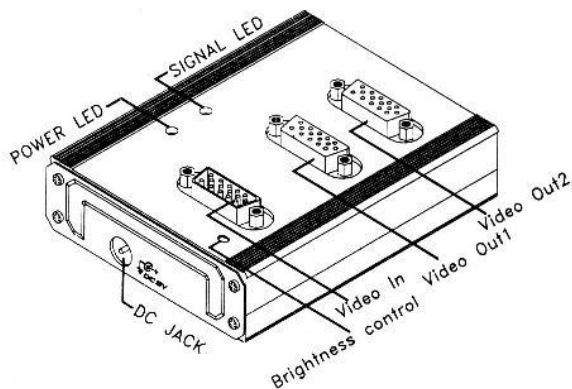
- ◆ A VGA, SVGA, UXGA, WUXGA or multisync monitor or multimedia projector with an HDB-15 connector

CABLES

- ◆ 1 VGA cable for the source device
- ◆ 1 VGA cable for each display device you will be connecting

COMPONENTS

VS102 FRONT VIEW



No.	Component	Function
1	Power LED	Lights green to indicate the device has power.
2	Signal LED	Lights orange to indicate
3	DC Jack	The DC 9V 300mA (min.) power adapter plugs in here.
4	Brightness Control	This slide switch can be set to high or low to manage the displays brightness.
5	Video In	The VGA cable that connects to the video source plug in here.
6	Video Out 1	The VGA cable that connect to the video display and plugs in here.
7	Video Out 2	The VGA cable that connect to the second video display and plugs in here.

Note: This product is not suitable for CGA, EGA, or Monochrome type monitors using a digital video signal.

INSTALLATION



1. Make sure that the power to all devices you will be installing has been turned off.
2. Make sure that all devices you will be installing are properly grounded.

Installation of the VS102 is simply a matter of plugging in the appropriate cables.

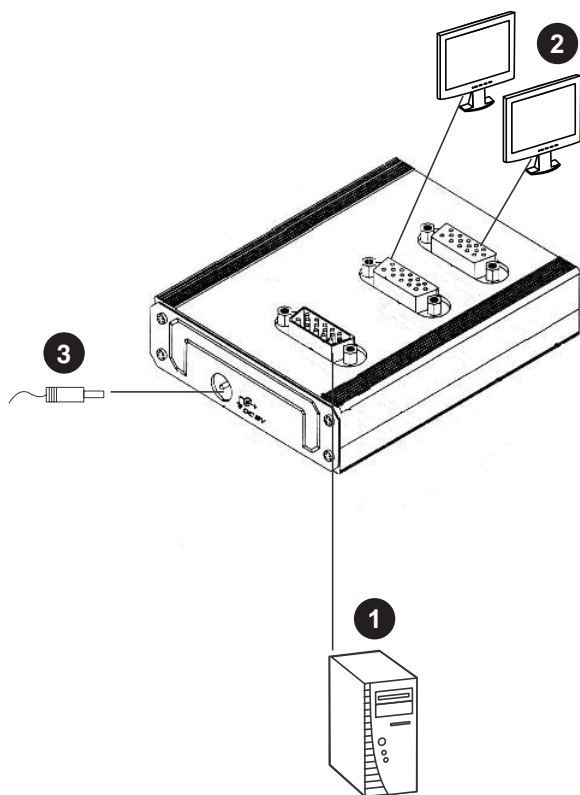
To install the splitter, refer to the installation diagram on page 10 as you perform the following steps:

1. Use a VGA cable to connect the computer's video port to the VIDEO IN port of the VS102.
2. Use the video displays VGA cables to connect to the VIDEO OUT 1 and 2 ports of the VS102.
3. Plug the Power Adapter into an AC source; plug the Power Adapter cable into the DC IN socket on the VS102's side panel.
4. Power on the VS102.

Note: Use a DC 9V adapter with polarities only.



INSTALLATION DIAGRAM



POWERING OFF AND RESTARTING

If you power off the VS102, follows these steps before powering it on again:

1. Power off the attached devices.
2. Unplug the power adapter cable from the VS102.
3. Wait 10 seconds, and then plug the power adapter cable back in.
4. After the VS102 is powered on, power on the attached devices.

Note: Whenever the VS102 is powered on, it automatically selects the A/V source attached to Port 1.

SPECIFICATIONS

Function			VS102
Display Connections			2
Connectors	Device	Input	1 x HDB-15 Male (Blue)
	Display	Output	2 x HDB-15 Female (Blue)
	Power		1 x DC Jack
LEDs	Power		1 (Green)
	Signal		1 (Orange)
Switch	Video Gain		1 x Knob
Video Bandwidth			250 MHz
Video Resolution			1920 x 1440 @ 60Hz; VGA, SVGA, SXGA, UXGA, WUXGA
Power Consumption			DC9V, 1.89W (Max)
Environment	Operating Temp.		0–50°C
	Storage Temp.		-20–60°C
	Humidity		0–80% RH, Non-condensing
Physical Properties	Housing		Metal
	Weight		0.19 kg
	Dimensions (L x W x H)		10.36x 7.90 x 2.82 cm

LIMITED WARRANTY

IN NO EVENT SHALL THE DIRECT VENDOR'S LIABILITY EXCEED THE PRICE PAID FOR THE PRODUCT FROM THE DIRECT, INDIRECT, SPECIAL, INCIDENTAL OR CONSEQUENTIAL DAMAGES RESULTING FROM THE USE OF THE PRODUCT, DISK OR ITS DOCUMENTATION.

The direct vendor makes no warranty or representation, expressed, implied, or statutory with respect to the contents or use of this documentation, and specially disclaims its quality, performance, merchantability, or fitness for any particular purpose.

The direct vendor also reserves the right to revise or update the device or documentation without obligation to notify any individual or entity of such revisions, or update. For further inquires please contact your direct vendor.