

USB DOCKING STATION

USB 



USER MANUAL

UC-2000 / UC-2000L

Read this guide thoroughly and follow the installation and operation procedures carefully in order to prevent any damage to the units and/or any devices that connect to them.

This package contains:

- 1 UC-2000 or UC-2000L USB Docking Station
- 1 USB Cable
- 1 Driver
- 1 Power Adapter
- 1 User Manual

If anything is damaged or missing, contact your dealer.

© Copyright 2000 ATEN™ International Co., Ltd.
Manual Part No. PAPE-1185-100
Printed in Taiwan 09/2000

2001-06-08

OVERVIEW

The UC-2000 and UC-2000L USB Docking Stations are port replicators that allow you to connect standard desktop peripherals (keyboard, mouse, modem, printer, scanner, etc.), to virtually any notebook by means of a single USB connection.

In addition to ports for two USB peripheral devices, the UC-2000 and UC-2000L incorporate traditional serial, parallel, mouse, and keyboard ports so you don't have to lose any of your current peripheral investments. The UC-2000L also contains an ethernet port for convenient networking.

By combining the functionality of using full-sized desktop PC peripherals with the convenience of using a portable notebook as your primary computer, your notebook can now be your office PC.

Just connect all your peripherals to the UC-2000 or UC-2000L; make one simple USB cable connection to your notebook; and you have all the convenience of a desktop computer at your fingertips. When it's time to get on the road, simply unplug the one USB cable and you are ready to travel.

To accommodate all of your peripheral connectivity needs, you can daisy chain USB hubs and USB devices to the UC-2000 or UC-2000L. Easy USB plug and play installation makes adding new USB hardware a breeze. Complex installation routines are eliminated, IRQ conflicts are a thing of the past, and there is no more hassle trying to keep things synchronized between your notebook and office PCs.

FEATURES

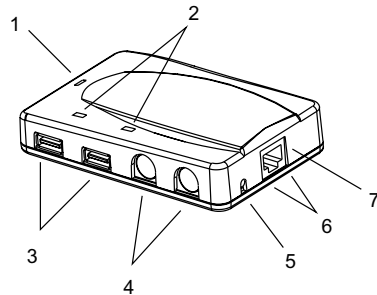
- ◆ Fully USB 1.1 Compliant
- ◆ Up to 12 Mbps USB Data Transfer Rate
- ◆ Multiple Port Connections:
 - ◆ **USB Port:** Printers, digital cameras, scanners, storage devices, keyboards, mice, joysticks, and all other USB devices
 - ◆ **Serial Port (DB-9):** PDA cradles, external modems, and other serial interface devices
 - ◆ **Parallel Port (DB-25):** Parallel printers, parallel port drives, and other parallel port devices
 - ◆ **PS/2 Port:** Keyboards, mice
 - ◆ **RJ-45 Socket:** Ethernet connector*
- ◆ USB Plug and Play
- ◆ Keyboard and Mouse Wakeup Function
- ◆ Integrated 10Base-T Ethernet Support*
- ◆ LEDs to Indicate Power Status, USB Port Status, as well as Network Power/Link and Tx/Rx*
- ◆ * Networking features are for the UC-2000L only

SYSTEM REQUIREMENTS

- ◆ Windows 98 or 2000
- ◆ USB Host Controller installed on the system

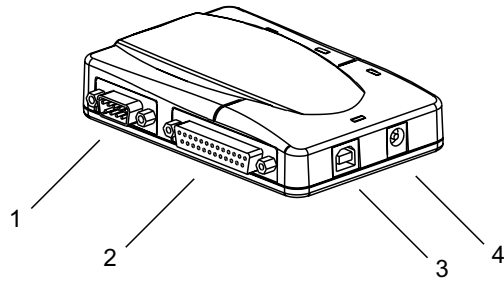
INTRODUCTION

FRONT VIEW



1. Power LED
Lights Orange to indicate that the UC-2000 / UC-2000L is receiving power from the Power Adapter.
2. USB Port LEDs
These LEDs light GREEN to indicate that a USB peripheral is connected to the corresponding port and is receiving power at the correct current level. If an overcurrent condition between the port and the peripheral device occurs, the LED goes out.
3. USB Type A (Downstream) Ports
The cables from any USB peripheral (keyboard, mouse, printer, scanner, modem, etc.), plug into either port.
4. PS/2 Ports
Cables from a PS/2 Keyboard and PS/2 Mouse can plug in here.
5. Wake Up Button
If the notebook's keyboard or mouse is in "sleep" or suspend mode, pressing this button will wake it up.
6. Ethernet LEDs (UC-2000L only)
The ORANGE LED lights to indicate that a connection to the server has been established.
The GREEN LED indicates TX/RX status.
7. RJ-45 Socket (UC-2000L only)
The Ethernet cable plugs in here

REAR VIEW



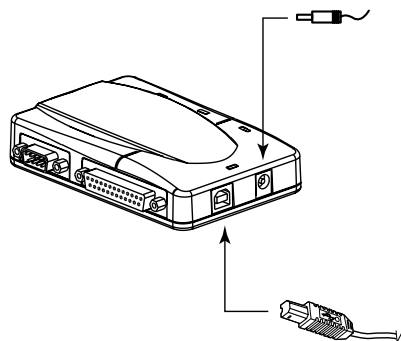
1. Serial Port
The cable that connects to a serial device (printer, modem, etc.), plugs in here.
2. Parallel Port
The cable that connects to a parallel device (printer, external drive, etc.), plugs in here.
3. USB Type B (Upstream) Port
The cable that connects to the notebook plugs in here.
4. Power Jack
The cable from the Power Adapter plugs in here.

INSTALLATION

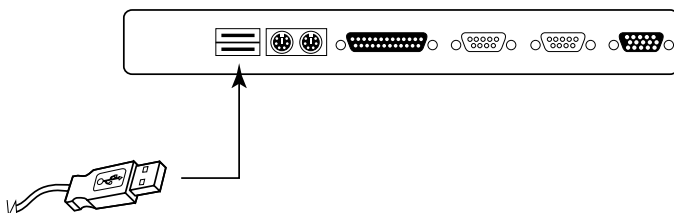
DRIVER INSTALLATION

With your computer booted up, do the following:

1. Plug the power adapter that came with this package into an AC source; plug the power adapter cable into the UC-2000 / UC-2000L's power jack.
2. Plug the B end of the USB cable that came with this package into the UC-2000 / UC-2000L's USB Type B (Upstream) port, located on the left side of the unit.



3. Plug the A end of the USB cable that came with this package into the computer's USB port.



4. Windows detects the unit's presence and starts the Add New Hardware Wizard to install the necessary drivers:
 - a) Click Next to start the installation procedure.
 - b) In the dialog box that comes up, accept the default choice, *Search for the best drivers for your device*; Click Next to continue.
 - c) In the dialog box that comes up, choose Specify a Location; put the driver disk in the disk drive; Click Browse...; Select the drive that contains the driver disk; Select the UC-2000 / UC-2000L folder; Select the Win2000 or Win98 folder (depending on the version of Windows you are running); Click OK.
 - d) You are now back at the Add New Hardware Wizard dialog box; Windows informs you that the driver has been found; Click Next to continue; the driver is now copied to your hard disk.

Note: Have your Windows installation CD handy for when Windows prompts you for it.
 - e) After the driver file has been copied to the hard disk, a dialog box appears to tell you that the installation has finished. Click Finish. Windows now finishes up the installation.
 - f) When asked if you want to restart your computer, Click Yes.
5. When Windows comes back up, the Add New Hardware Wizard appears. The Wizard takes you through the installation procedure several times to install the necessary drivers for the various interface ports. It is basically the same each time, simply repeat steps 4a to 4f for each driver.

UNINSTALLING THE DRIVER

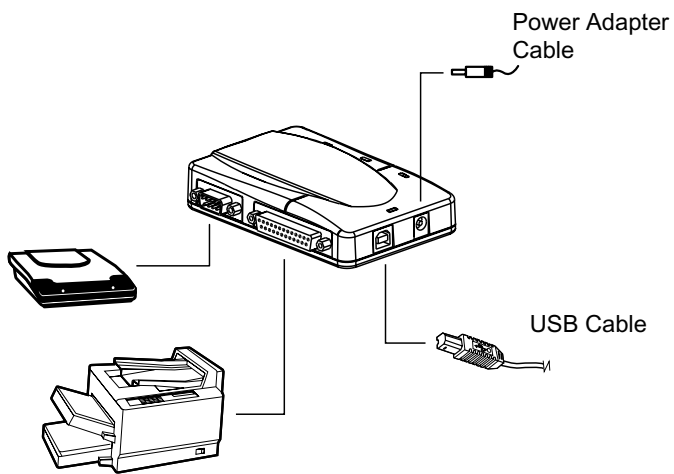
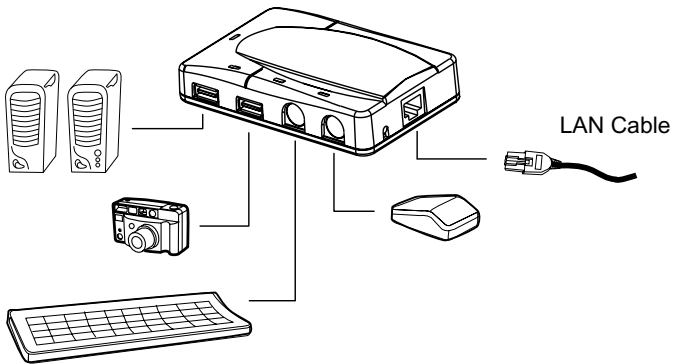
If you should ever need to uninstall the driver files, simply do the following:

1. Put the driver disk in the disk drive.
2. Open Windows Explorer and navigate down the driver disk to the folder that you installed the driver files from (the Win98 folder).
3. Click **unistall.exe**.

HARDWARE INSTALLATION

Refer to the example diagrams on the next page as you follow these step by step instructions:

1. Boot up your notebook.
2. Plug the cables from your peripherals into the appropriate ports on the UC-2000 / UC-2000L.
3. Plug the B Connector end of the USB cable (supplied with this package) into the USB Type B (Upstream) Port; plug the A Connector end of the USB cable into the notebook's USB port.
4. Windows will recognize the UC-2000 / UC-2000L and install the necessary USB hardware drivers to handle the attached peripherals.
5. When Windows is done, and you have rebooted, you can use all the attached peripherals with your notebook.



APPENDIX

SPECIFICATIONS

Function	Specification	
Power Consumption	AC 5V; 540m A	
Port Replicators	Serial	1 DB-9 Male
	Parallel	1 DB-25 Female
	PS/2	1 x 6 pin mini-DIN Female - Keyboard 1 x 6 pin mini-DIN Female - Mouse
	USB	1 Type B (Upstream) 2 Type A (Downstream)
	*Ethernet	1 RJ-45 Receptacle (10Base-T)
LEDs	Power	1
	USB	2
	Ethernet	1 Link 1 Tx/Rx
USB Cable Length	1.8 m (6')	
Temperature	Operating	50 ^o - 40 ^o C
	Storage	-20 ^o -60 ^o C
Humidity	0 -80% RH, Noncondensing	
Housing	Plastic	
Weight	150 g	
Dimensions	(L x W x H) 111.5 x 72 x 27.9 mm	

*Ethernet specifications are for the UC-2000L only.

TROUBLESHOOTING

Note: If you are experiencing problems, first make sure that there are no problems with the cables, and that they are all properly connected.

Symptom	Possible Cause	Action
Unit Operates Erratically	Static electricity may cause the unit to operate erratically.	Reset the unit by unplugging the Upstream cable from the PC's USB port, and then reinserting it.

RADIO & TV INTERFERENCE STATEMENT

WARNING!!! This equipment generates, uses and can radiate radio frequency energy and, if not installed and used in accordance with the instruction manual, may cause interference to radio communications. This equipment has been tested and found to comply with the limits for a Class B computing device pursuant to Subpart J of Part 15 of FCC Rules, which are designed to provide reasonable protection against such interference when operated in a commercial environment. Operation of this equipment in a residential area is likely to cause interference, in which case the user at his own expense will be required to take whatever measures may be required to correct the interference.

LIMITED WARRANTY

IN NO EVENT SHALL THE DIRECT VENDOR'S LIABILITY EXCEED THE PRICE PAID FOR THE PRODUCT FROM THE DIRECT, INDIRECT, SPECIAL, INCIDENTAL OR CONSEQUENTIAL DAMAGES RESULTING FROM THE USE OF THE PRODUCT, DISK OR ITS DOCUMENTATION.

The direct vendor makes no warranty or representation, expressed, implied, or statutory with respect to the contents or use of this documentation, and specially disclaims its quality, performance, merchantability, or fitness for any particular purpose.

The direct vendor also reserves the right to revise or update the device or documentation without obligation to notify any individual or entity of such revisions, or update. For further inquires please contact your direct vendor.