

Video Extender Rack Mount Kit

User Instructions

VE-RMK3U

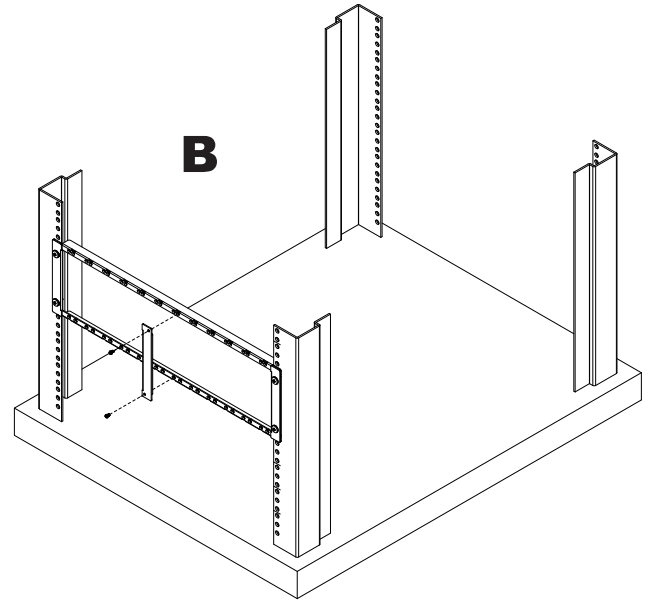
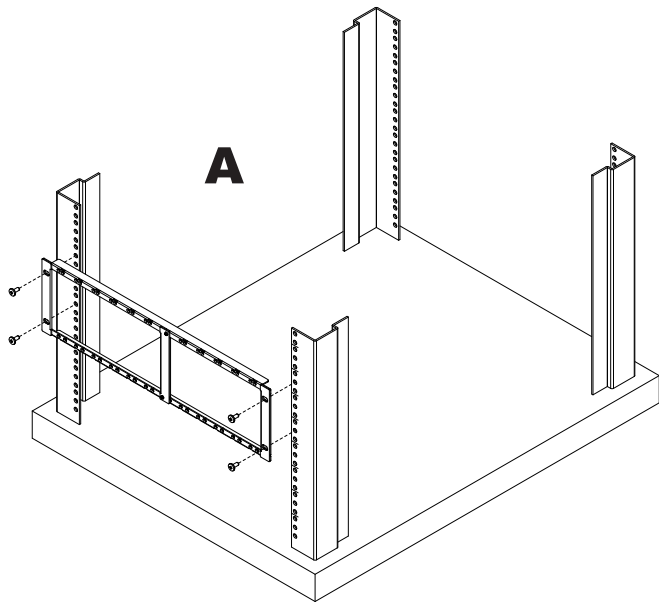
The VE-RMK3U kit provides a mounting frame and accessories to install 12 ATEN Video Extenders in 3U of rack space. Compatible with ATEN models VE800A, VE803, VE810, VE600A, VE602, VE560, CE100, VE601, VE801, and VE901

Package Contents:

- 1 x VE-RMK3U Frame
- 12 x 3U Mounting Plates
- 26 x Plastic Captive Screws
- 18 x Hexagon Head Screws
- 36 x Countersunk Head Screws

Installation:

1. (A) Position the VE-RMK3U Frame on the front of the rack and align the holes in the mounting brackets with the holes in the rack, then screw the mounting brackets to the rack. Rack screws are not provided. (B) Remove the two screws to detach the center brace.



2. Place the Video Extender over the 3U Mounting Plate and bring the two pieces together so that the mounting post enters the rear hole. Next, slide the Video Extender forward to lock it in place. For video extenders without brackets, see step 4.

