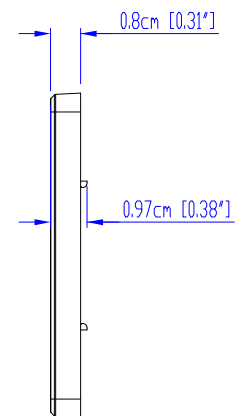
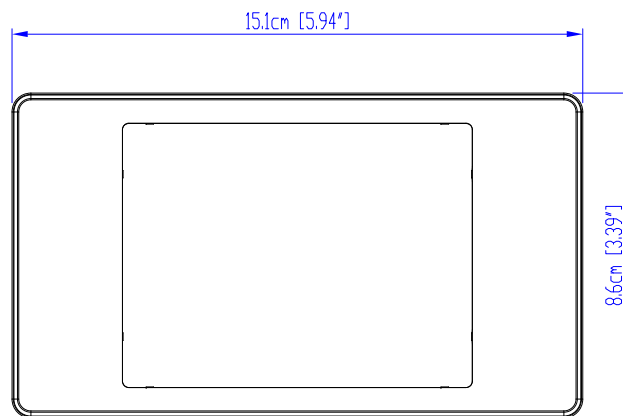
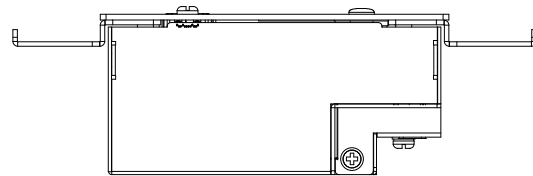
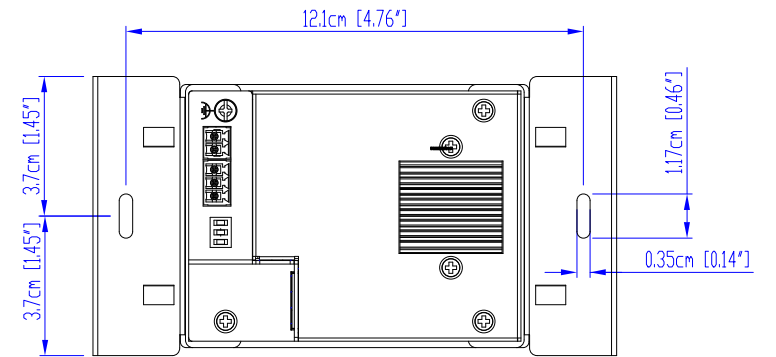
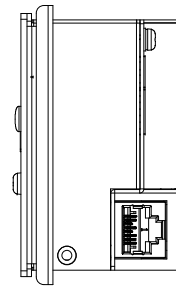
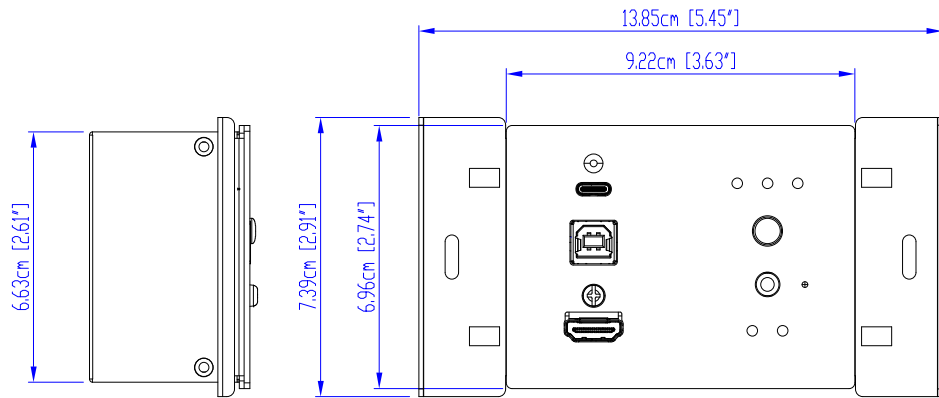
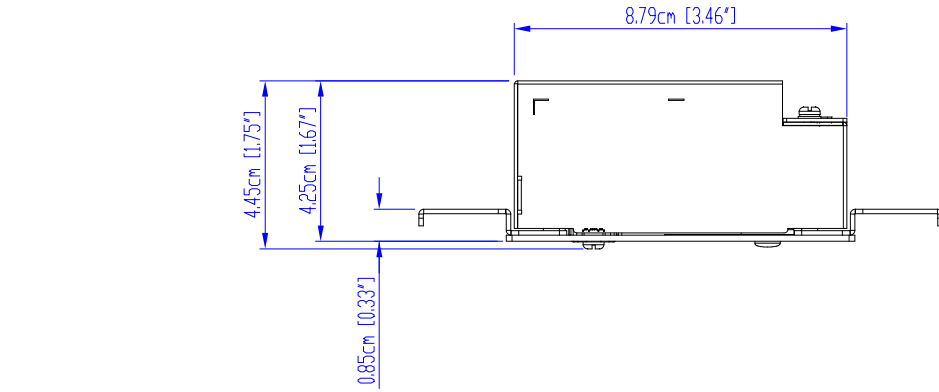


CAD Drawings

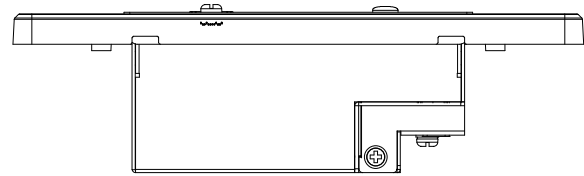
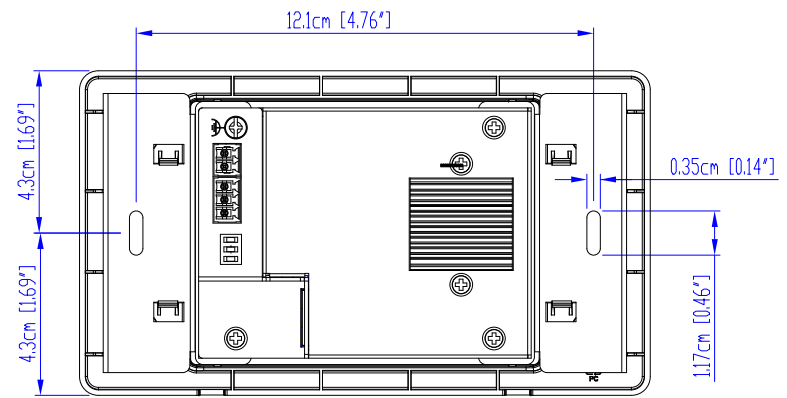
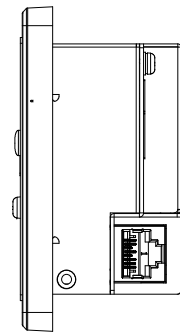
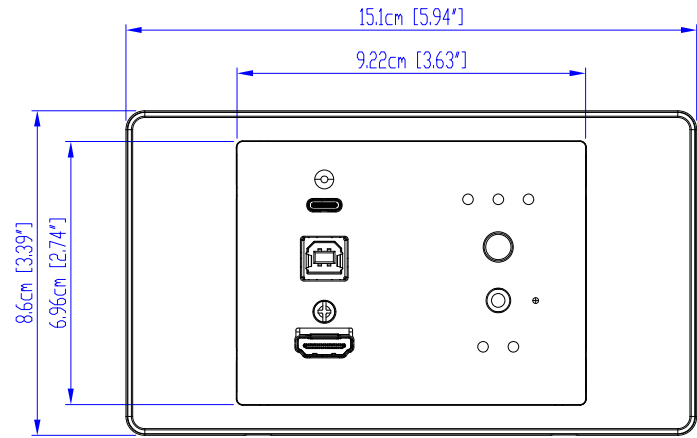
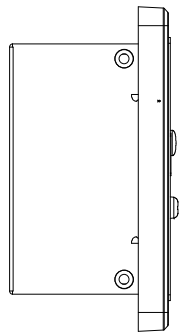
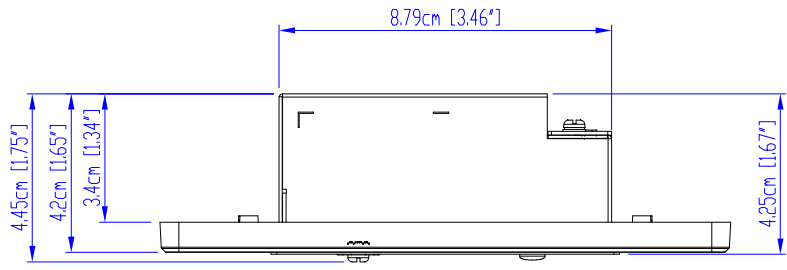


VE2833EUT



ATEN

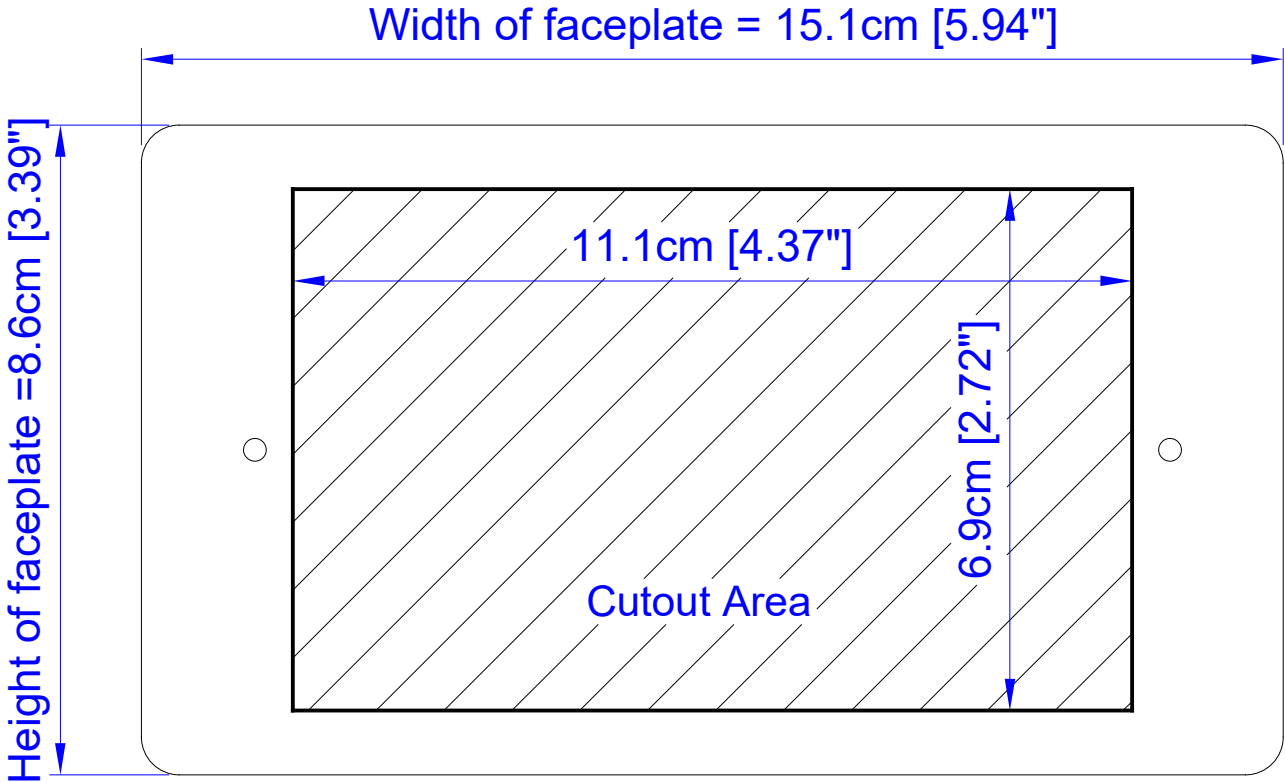
VE2833EUT



ATEN

VE2833EUT

Panel Mount Cutout



Note: ATEN recommends a 2-gang wall box with a depth of at least 3.6 cm (1.42 inches) to accommodate the connectors and cables.

